

# DISH Pro & DISH Pro Plus Installation Quick Reference Guide



## DISH Pro (DP) Products

- DP Single LNBF
- DP Dual LNBF
- DP Twin LNBF
- DP Quad LNBF
- DP21 Switch
- DP34 Switch
- DP Adapter for Legacy receivers

## DISH Pro Plus (DP Plus) Products

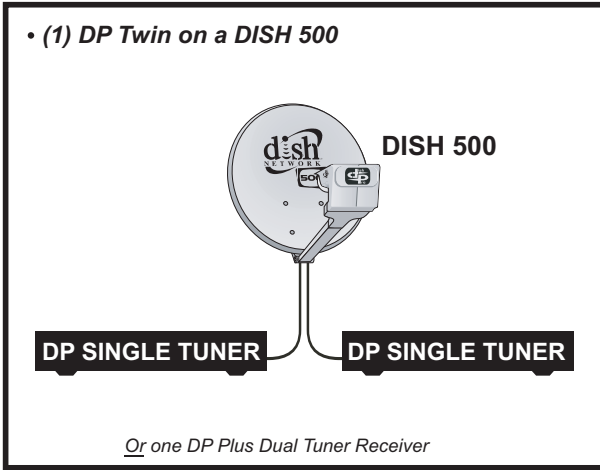
- DP Plus Twin LNBF
- DP Plus 44 Switch
- DP Plus Separator



# TWO ORBITAL LOCATIONS

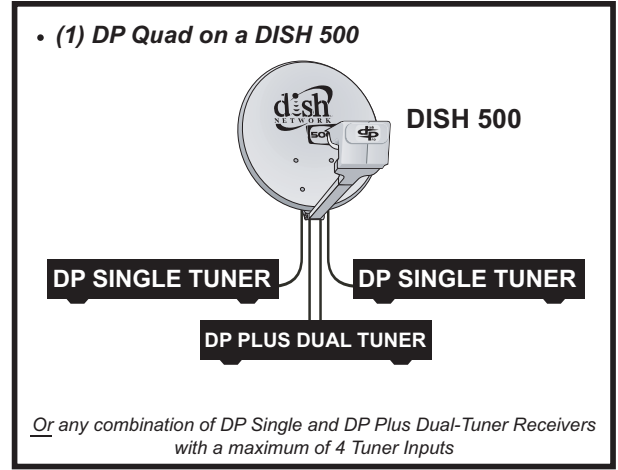
## **DP** Two Orbital Locations, 2 Tuners

- (1) DP Twin on a DISH 500



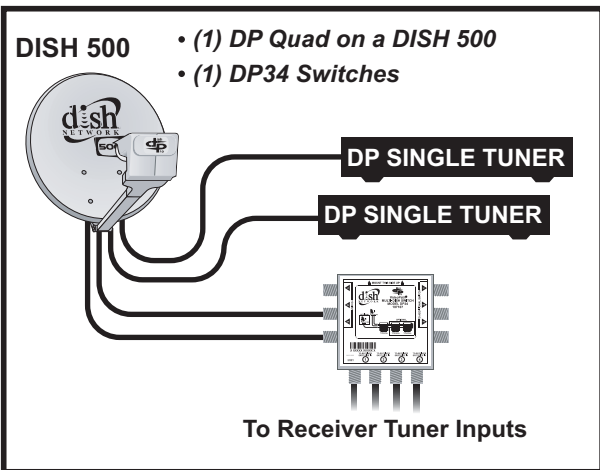
## **DP** Two Orbital Locations, 4 Tuners

- (1) DP Quad on a DISH 500



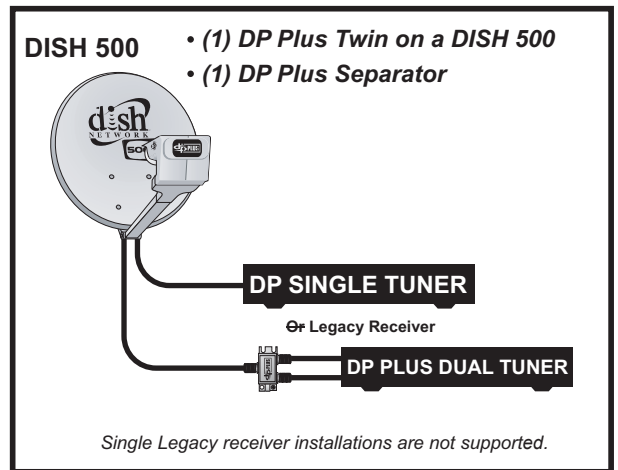
## **DP** Two Orbital Locations, 6 Tuners

- (1) DP Quad on a DISH 500
- (1) DP34 Switches



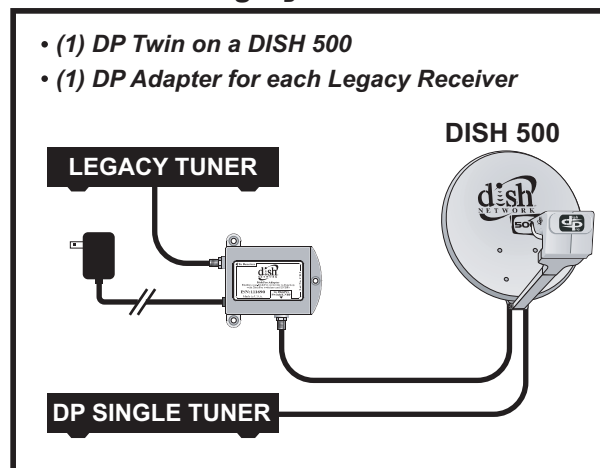
## **DP PLUS** Two Orbital Locations using a DP Plus Twin

- (1) DP Plus Twin on a DISH 500
- (1) DP Plus Separator



## **DP** Two Orbital Locations with a Legacy Receiver

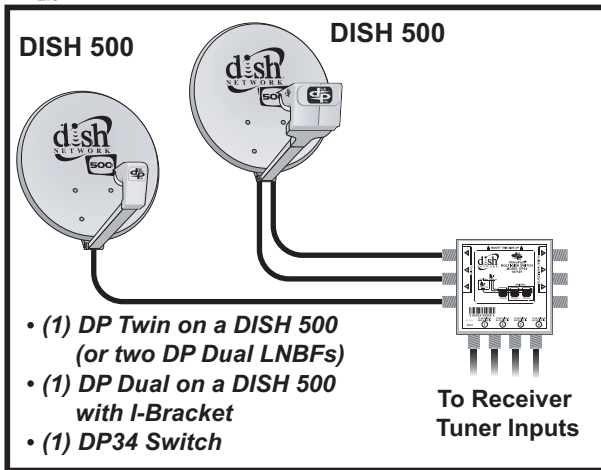
- (1) DP Twin on a DISH 500
- (1) DP Adapter for each Legacy Receiver



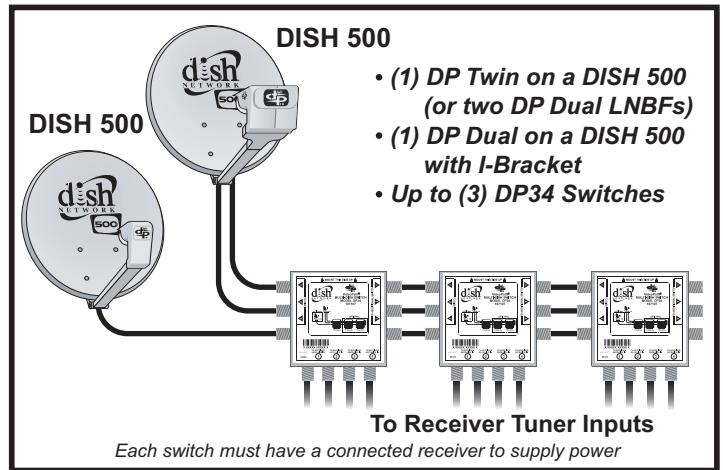
Grounding according to the National Electric Code (NEC) and all local electrical codes is required.

# THREE ORBITAL LOCATIONS

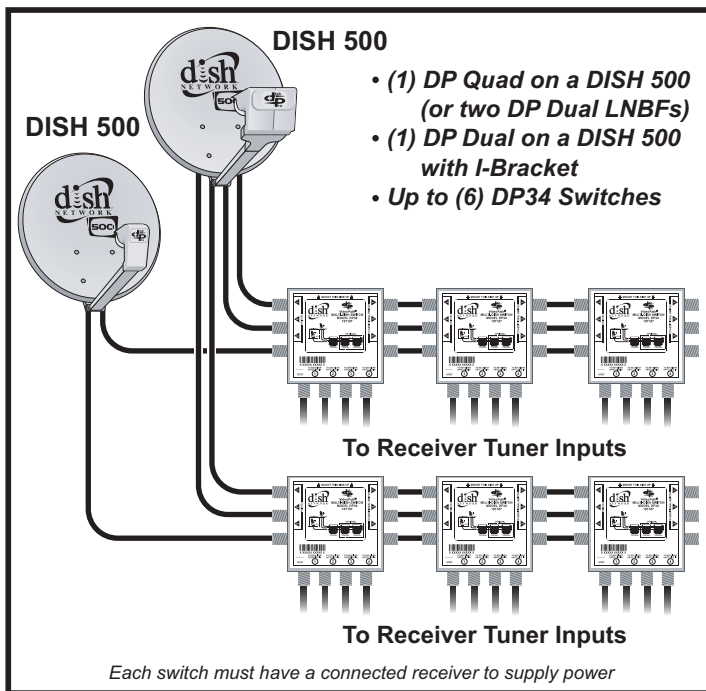
## **DP** Three Orbital Locations, up to 4 Tuners



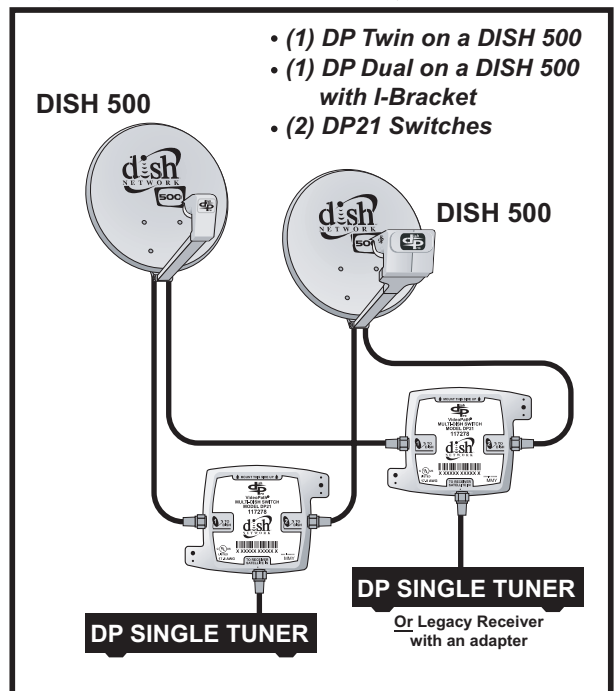
## **DP** Three Orbital Locations, up to 12 Tuners



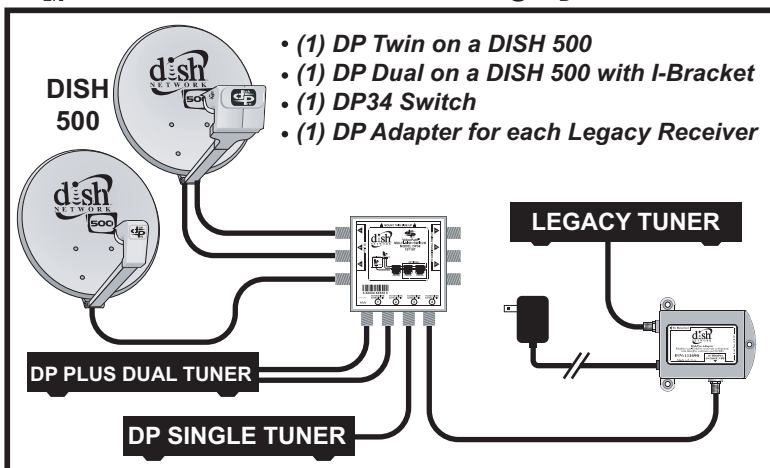
## **DP** Three Orbital Locations, up to 24 Tuners



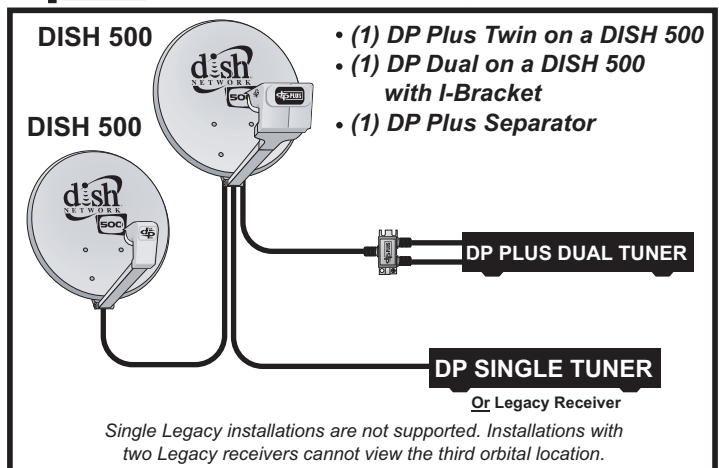
## **DP** Three Orbital Locations, up to 2 Tuners



## **DP** Three Orbital Locations with a Legacy Receiver



## **DP PLUS** Three Orbital Locations, with DP Plus Twin

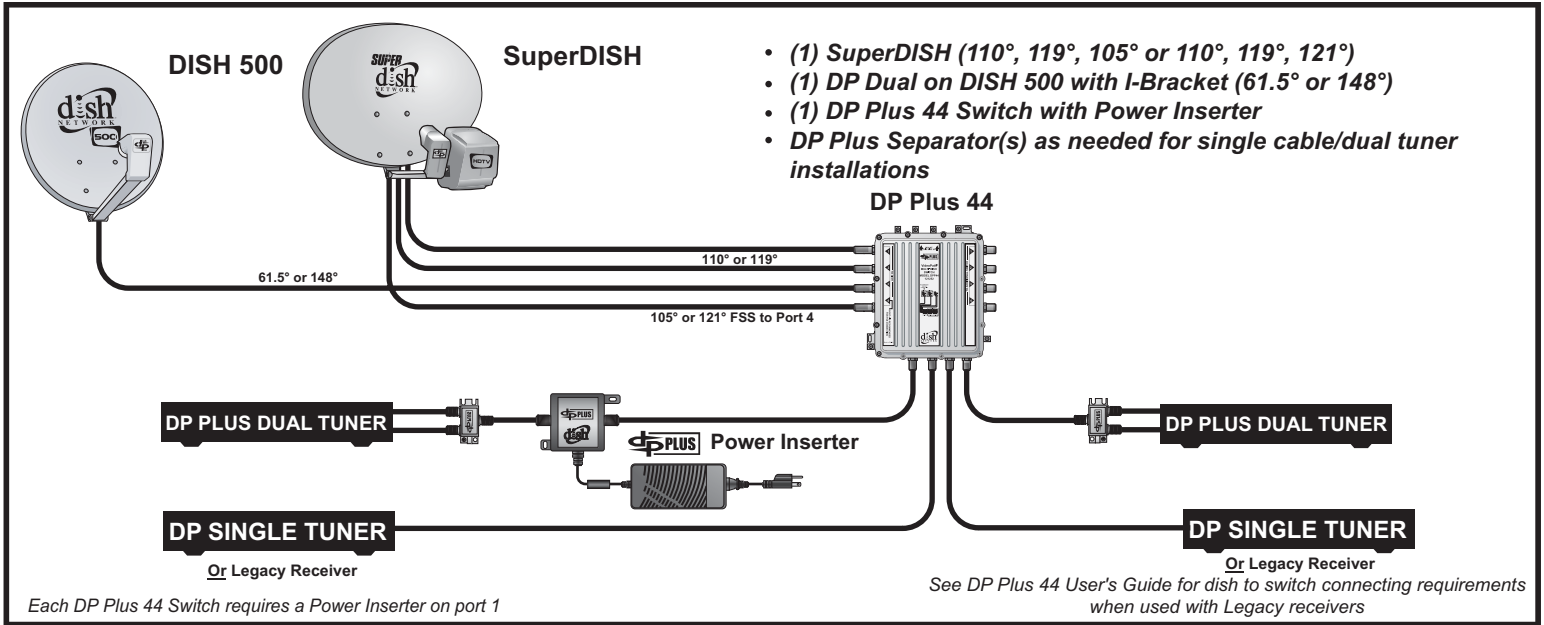


Grounding according to the National Electric Code (NEC) and all local electrical codes is required.

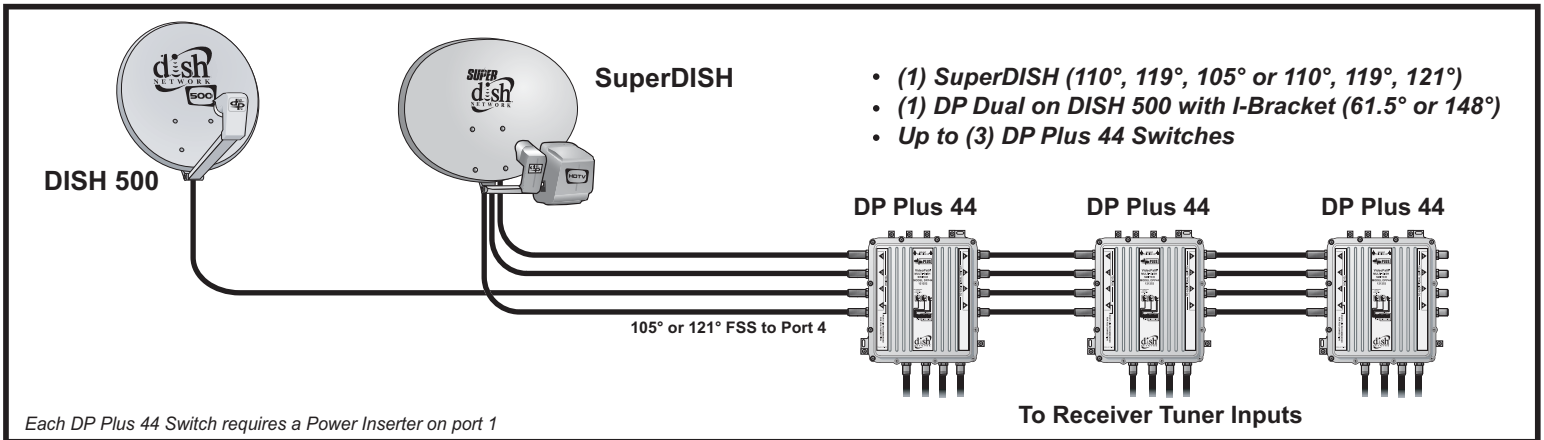
# FOUR ORBITAL LOCATIONS



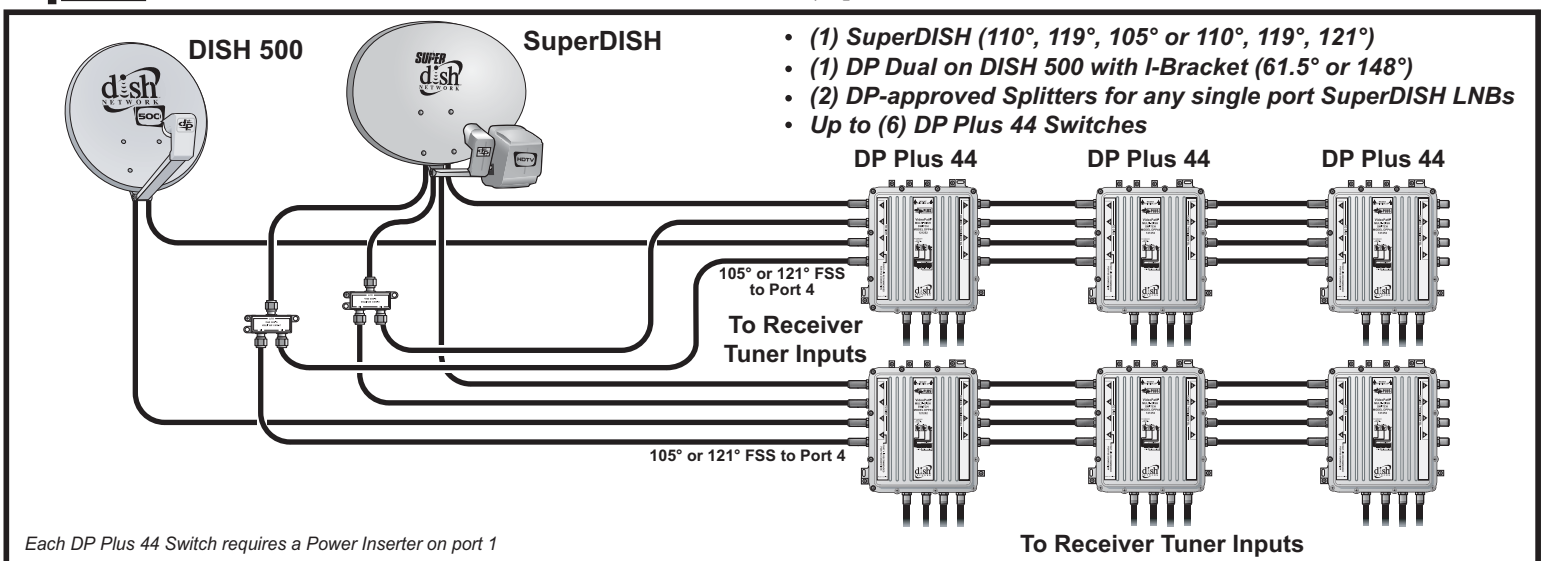
## DP Plus 44 Switch Connectivity



## Four Orbital Locations, up to 24 Tuners



## Four Orbital Locations, up to 48 Tuners



Grounding according to the National Electric Code (NEC) and all local electrical codes is required.

# DISH Pro & DISH Pro Plus Installation Considerations

## LNBs AND SWITCHES

- DISH Pro LNBFs work with DISH Pro Plus switches. The DISH Pro Plus Twin functions the same as a DISH Pro Twin LNBF when connected to any DISH Pro Plus switch.
- Legacy LNBFs and switches can not be used with DISH Pro or DISH Pro Plus LNBFs and switches.
- The maximum recommended cable length is 200 feet from the LNBFs to the furthest DISH Pro or DISH Pro Plus receiver (150 feet for Legacy receivers).
- When mounting switches, position according to instructions on the label.
- Use drip loops to direct water away from F-connectors.

## LEGACY RECEIVER INSTALLATIONS

- The DISH Pro Adapter must be used to connect any Legacy satellite receivers to a DISH Pro LNBF or Switch.
  - **Legacy Receivers include:**
    - Models 1000, 2000, 3000, 4000, 5000
    - Models 2700/2800/3700, 3800/3900, 4700/4900, 6000 (SuperDISH compatible)
    - DISHPlayer Models 7100, 7200
    - All OEM-equivalent models (e.g. RCA, JVC, Phillips)
- The DISH Pro Adapter is NOT needed when a Legacy receiver is directly connected to a DISH Pro Plus LNBF or Switch.

## DISH PRO PLUS (DP PLUS) RECEIVERS

DP Plus receivers can be connected with a single cable to DP Plus switches or LNBFs when used with a DP Plus Separator. See the "Receiver LNBF/Switch Compatibility Chart" for details.

## SINGLE-CABLE, DUAL-TUNER INSTALLATIONS

- Three DISH Pro Plus components must be connected together for this type of installation:
  - DISH Pro Plus LNBF or Switch
  - DISH Pro Plus Separator
  - DISH Pro Plus (dual-tuner) receiver
- Two single-tuner receivers **cannot** be connected to a DP Plus Separator – they are not DISH Pro Plus receivers.

## INSTALLATION MATERIALS

Materials used in a DISH Pro or DISH Pro Plus installation must be rated to 2150 MHz and pass DiSEqC 22 KHz tone. These materials include:




- RG-6 cable
- Ground blocks
- Diplexers
- Splitters
- Line amps
- Barrel connectors
- Wall plates
- Surge protectors

*DISH Network Retailers, please refer to the latest "DISH Pro Approved Accessories List" located on the Retailer Care Site.*





## FOR MORE INFORMATION (available on the Retailer Care Site):

- "Quick Facts" and "Installation Considerations" documents for:
  - DISH Pro Plus Technology
  - DISH Pro Plus 44 Switch
  - DISH Pro Plus Twin
  - DISH Pro Plus Separator
  - Single-Cable, Dual-Tuner Installations
- Installation Guides
- Distribution Diagrams

## Receiver & LNB/Switch Compatibility Chart

				
<b>Legacy LNBs &amp; Switches</b>	DISH Pro LNBs	DISH Pro Switches	DISH Pro Plus LNBs	DISH Pro Plus Switches
Single, Dual, Twin, Quad SW21, SW42, SW44, SW64, SWAJ	DP Single, DP Dual DP Twin, DP Quad	DP21 DP34	DP Plus Twin	DP Plus 44
<b>Legacy Receiver</b>	Yes	Yes, with DP Adapter	Yes, with DP Adapter	One, with additional receiver. Two, but only viewing 110° and 119°
<b>DISH Pro Receiver</b>	Yes	Yes	Yes	Yes
<b>DISH Pro Plus Receiver</b>	Yes	Yes	Yes	Yes
<b>DISH Pro Plus Receiver with DP Plus Separator</b>	No	No	No	Yes

## LNB & Switch Connectivity Chart

				
<b>DISH Pro LNBs</b>	DISH Pro LNBs	DISH Pro Switches	DISH Pro Plus LNB	DISH Pro Plus Switches
DP Single, DP Dual, DP Twin, DP Quad	DP21 DP34	DP Plus Twin		DP Plus 44
<b>Legacy LNBs or Switches</b>	No	No	No	No
<b>DISH Pro LNBs</b>	---	Yes	Yes – DP Single or DP Dual using DP Plus Twin's input port	Yes
<b>DISH Pro Switches</b>	Yes	Yes	No	DP34-Yes, but DP34(s) will not have DP Plus capabilities or 4 <sup>th</sup> orbital location
<b>DISH Pro Plus Twin</b>	Yes – DP Single or DP Dual using DP Plus Twin's input port	No	---	Yes – LNB's input port will be disabled. DP Plus capabilities will occur within the DP Plus switch
<b>DISH Pro Plus 44 Switch</b>	Yes	DP34-Yes, but DP34(s) will not have DP Plus capabilities or 4 <sup>th</sup> orbital location	Yes – LNB's input port will be disabled. DP Plus capabilities will occur within the DP Plus switch	Yes